

Joint + Asterisco APP

Design by Estel R&D

Joint is a storage unit system - with a width of 33 cm (13"), depth of 80 (31½")/163.5 (64¾") cm and height 126 cm (49⅝") – developed to be integrated with Asterisco desks. This combination create workstations with integrated storage, closed in the undertop part and open in the upper part: a functional workstation with a high level of privacy.

Side storage units feature a lower compartment with many customizable solutions: internal drawer with filing cabinet; drawer with CPU or free compartment; drawer and hinged door with free compartment; drawer, hinged door with EcoBox and Chair Box Vallet.



TECHNICAL FEATURES



Tops

MELAMINE

Tops are made in 30 mm thick (1"1/8) chipboard panels with antiscratch and anti-reflect melamine surfaces; tops are edged in ABS.

Legs

PORTALE LEGS

Arc welded metal structure powder coated in finish White Snow and Carbon Glacé. "Portale leg" has 5 (2") x 3 (1 1/8 ") cm section..

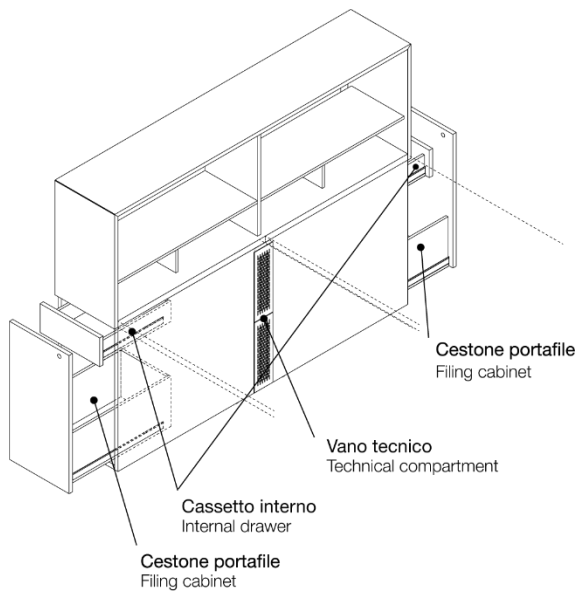


Beams

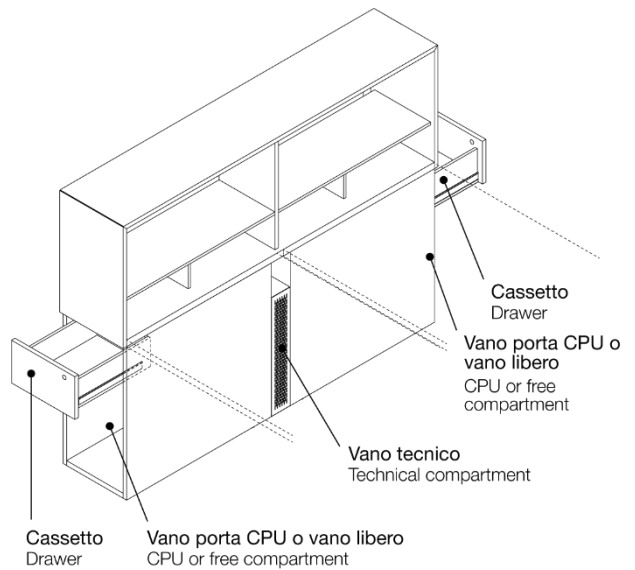
Under top beam has a section of 5 (2") x 3 (1 1/8 ") cm with an easy link system to the leg.

TECHNICAL FEATURES

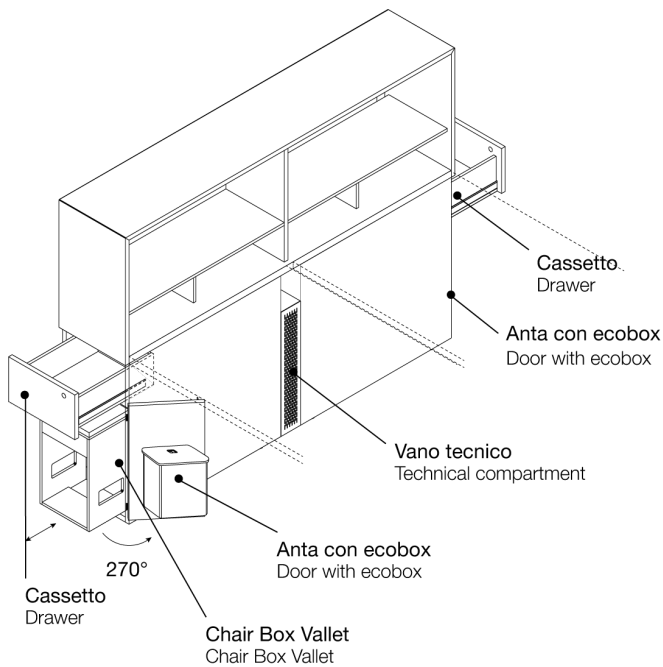
Joint for bench



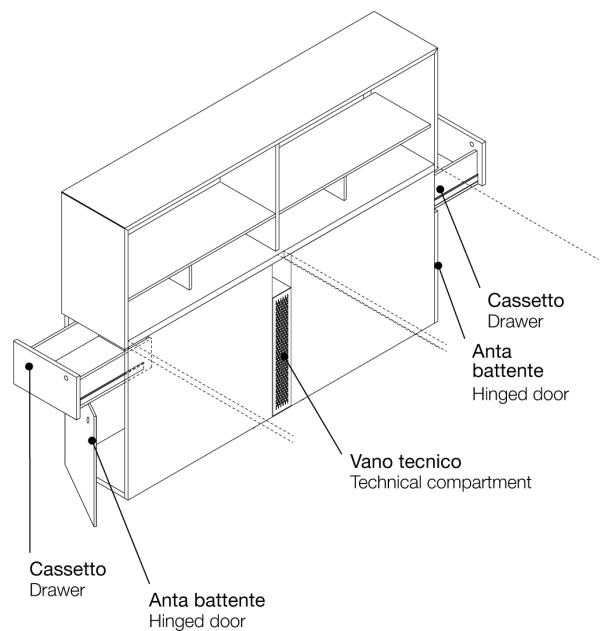
Version **A**



Version **B**

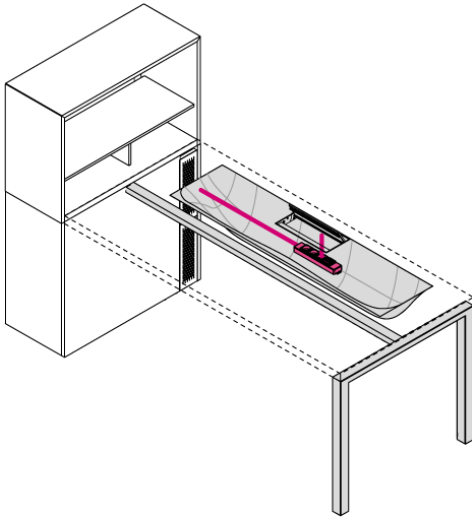


Version **C**



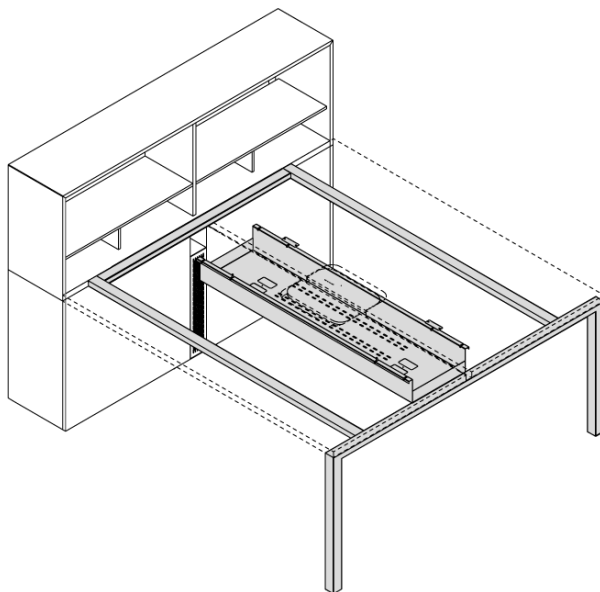
Version **D**

ELECTRIFICATION



Single desk

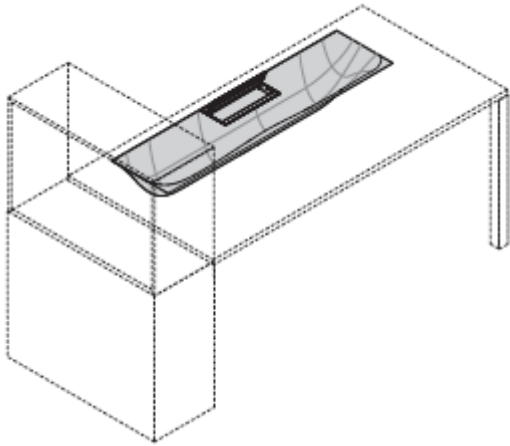
Electrification system made of cornice top access and thermoformed cable tray upholstered in fabric. The cable tray has also the function of modesty panel.



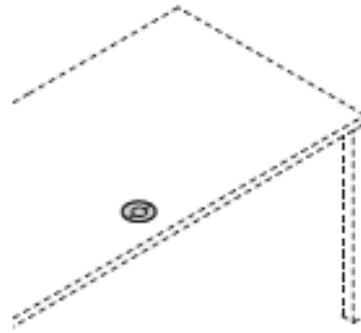
Bench

Removable shared cable tray in powder coated metal for cable passage. Wooden flips fixed to the central equipped bar that allow easy cable passage.

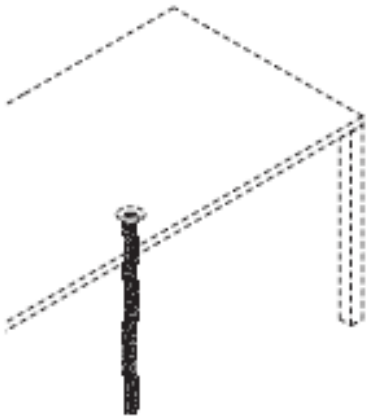
ELECTRIFICATION



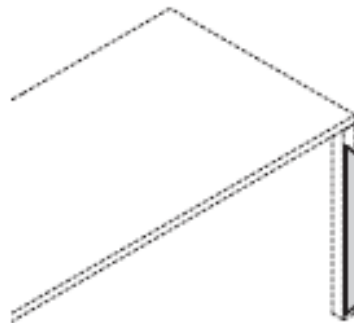
Cornice top access with thermoformed cable tray for single desk



Cable outlet for single desk

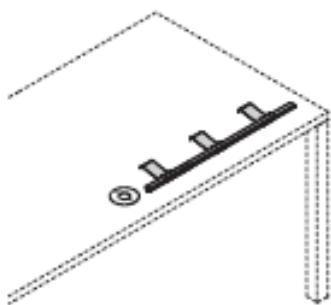


Cable management tube for single desk and for bench

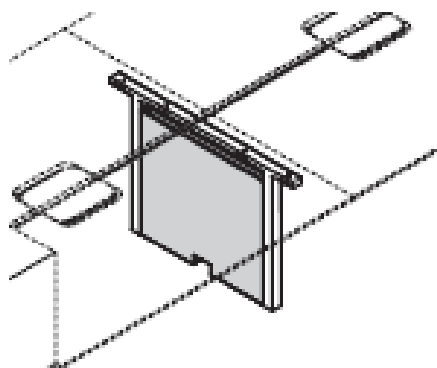


Clip-on cable management profile for leg

ELECTRIFICATION

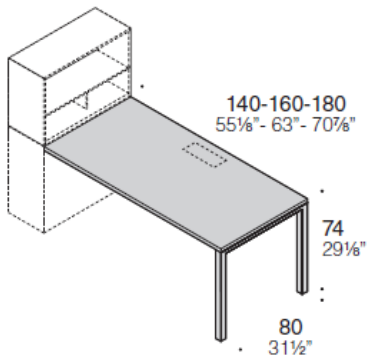


Horizontal vertebra

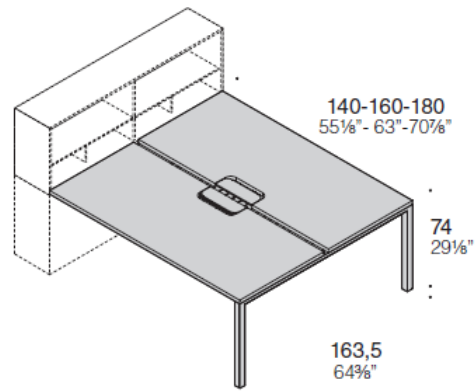


Cable management for intermediate leg of bench

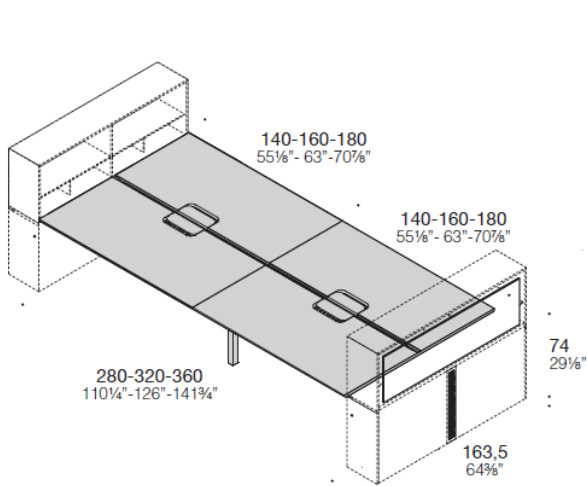
DIMENSIONS



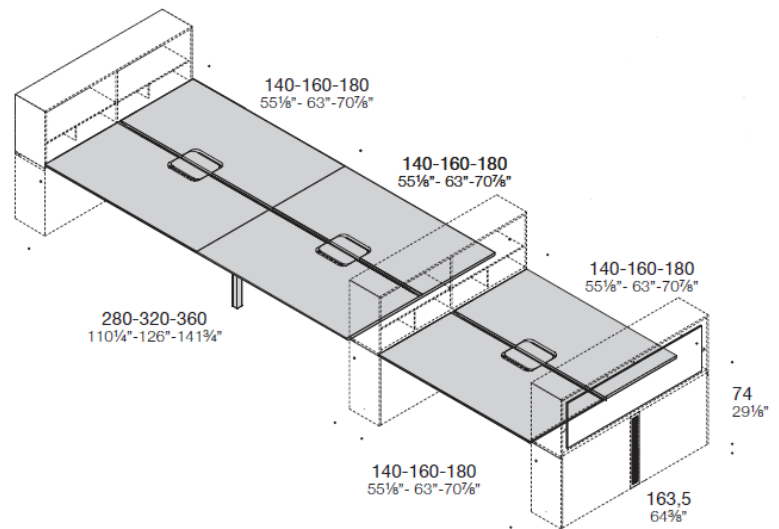
Single desk for Joint base



2 seater bench for Joint base with pivot top access and cable tray

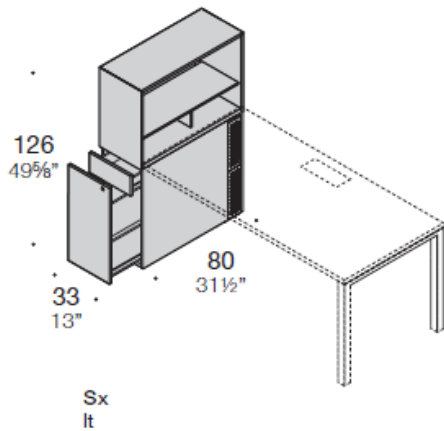


4 seater bench for Joint base with pivot top access and cable trays

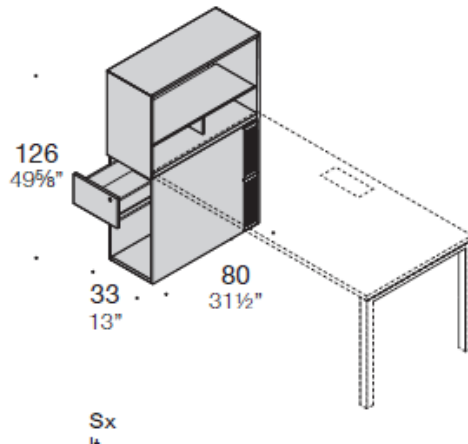


6 seater bench for Joint base with pivot top access and cable trays

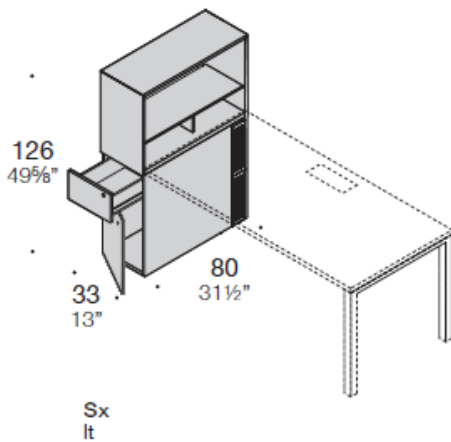
DIMENSIONS



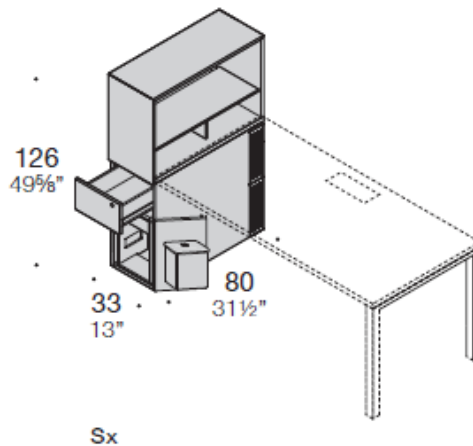
Joint base for single desk with internal drawer and filing cabinet



Joint base for single desk with drawer and CPU or free compartment

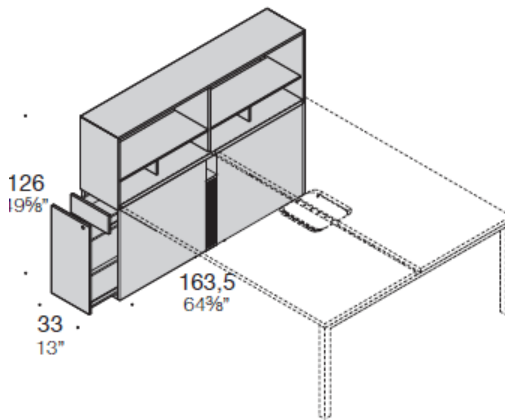


Joint base for single desk with drawer and hinged door with free compartment

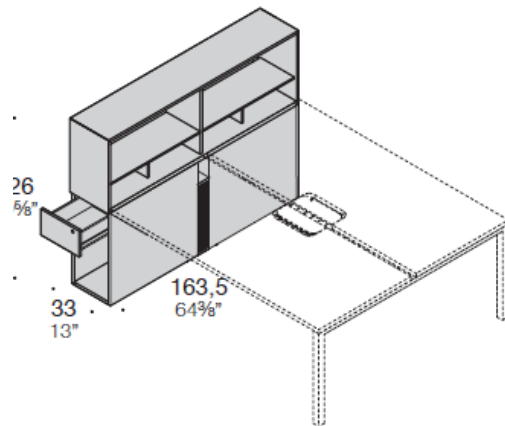


Joint base for single desk with drawer, door with ecobox and Chair Box Vallet

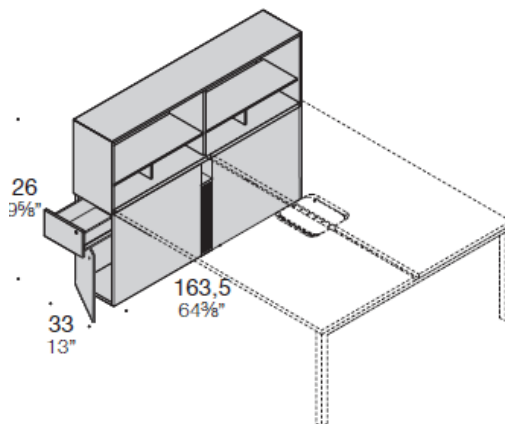
DIMENSIONS



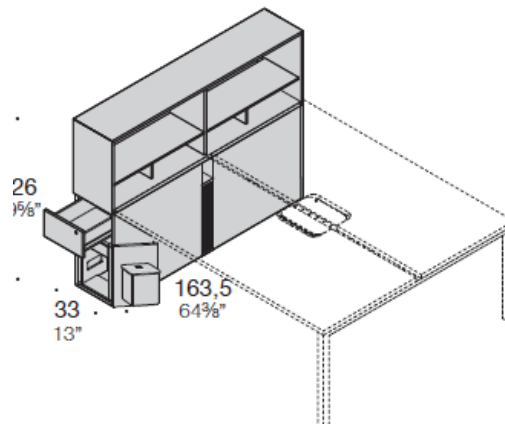
Joint base for bench with internal drawer and filing cabinet



Joint base for bench with drawer and CPU or free compartment

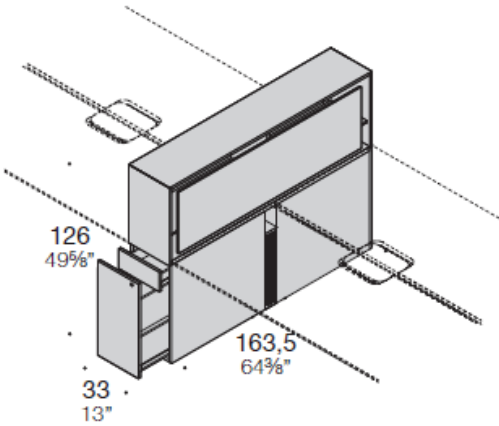


Joint base for bench with drawer and hinged door with free compartment

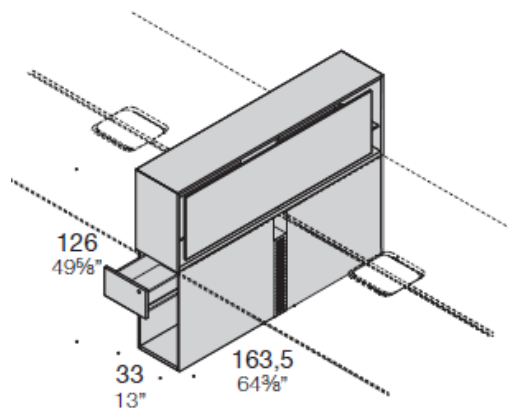


Joint base for bench with drawer, door with ecobox and Chair Box Vallet

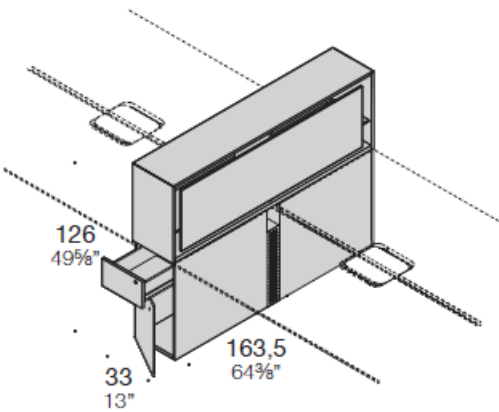
DIMENSIONS



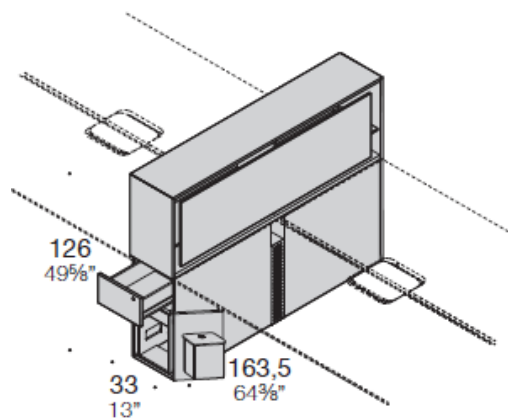
Intermediate Joint base for bench with internal drawer and filing cabinet



Intermediate Joint base for bench with drawer and CPU or free compartment

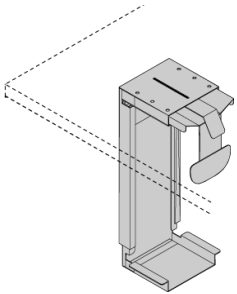


Intermediate Joint base for bench with drawer and hinged door with free compartment

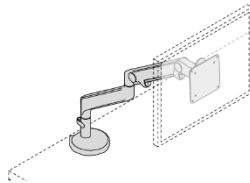


Intermediate Joint base for bench with drawer, door with ecobox and Chair Box Valet

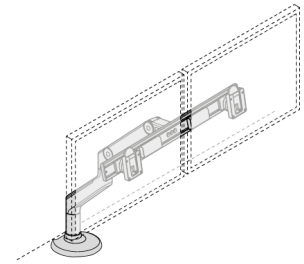
ACCESSORIES



CPU holder with extensible support



Single monitor holder



holder

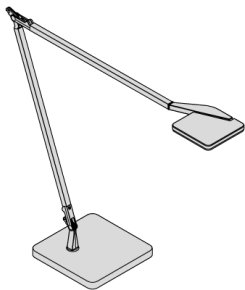
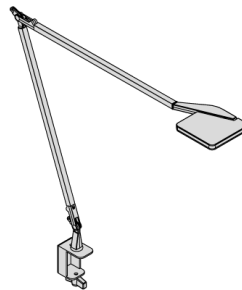
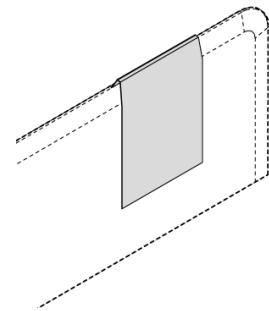


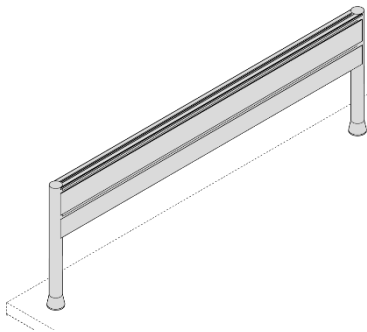
Table lamp



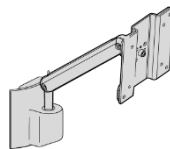
Clamp lamp



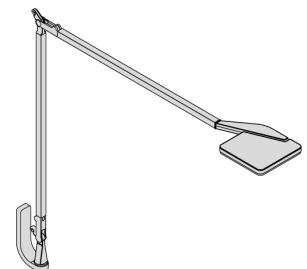
Whiteboard for screen panel



Accessory bar

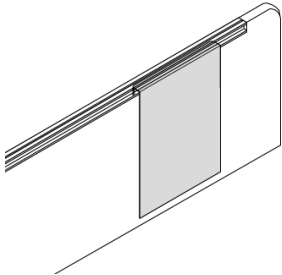


Monitor holder for bar

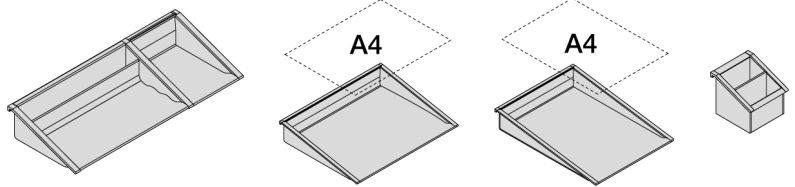


LED lamp for bar

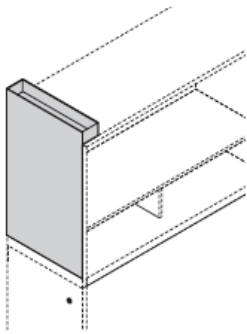
ACCESSORIES



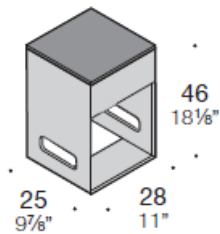
Whiteboard for screen panel with aluminium frame



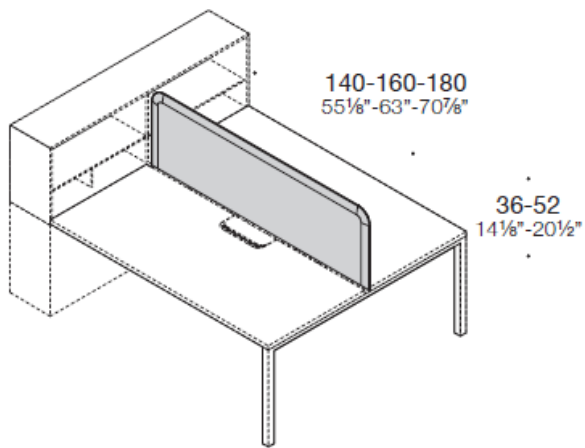
Accessories for bar



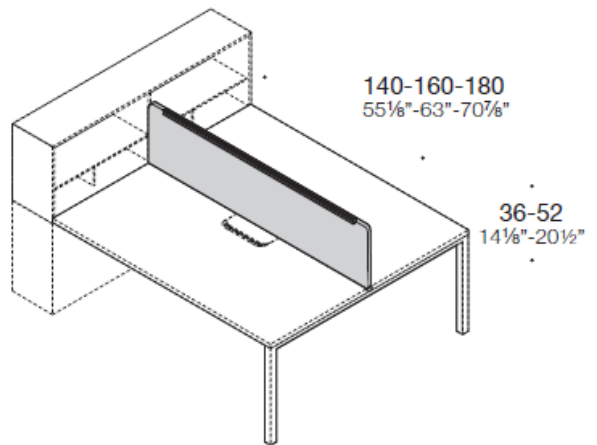
Whiteboard with pen holder for Joint



Chair Box Vallet - to be placed inside Lockers, Top Fly or Joint

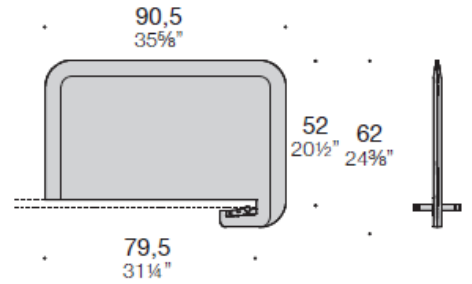
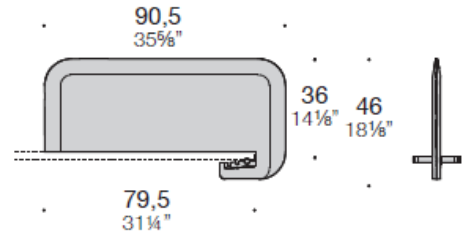
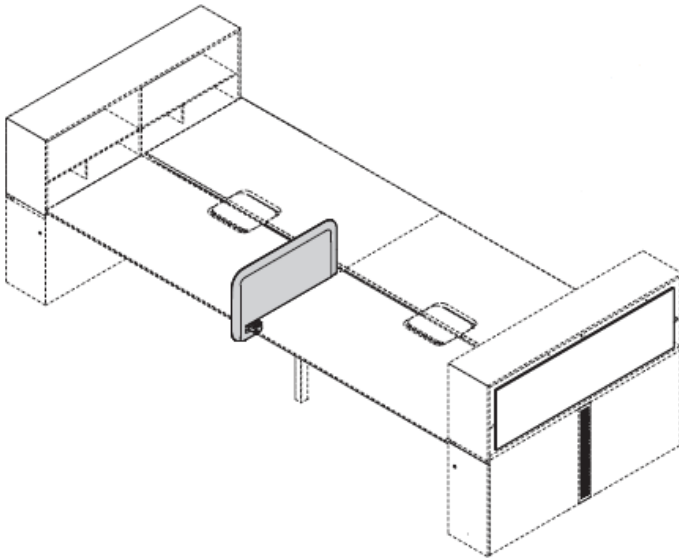


Screen panel for bench

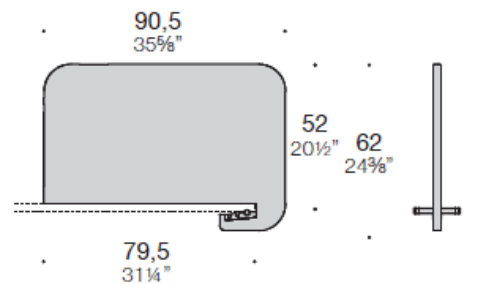
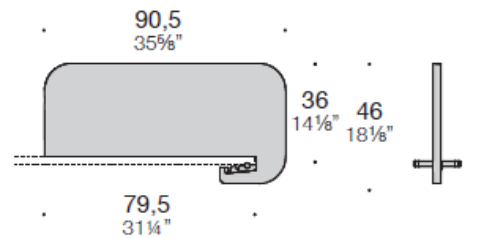
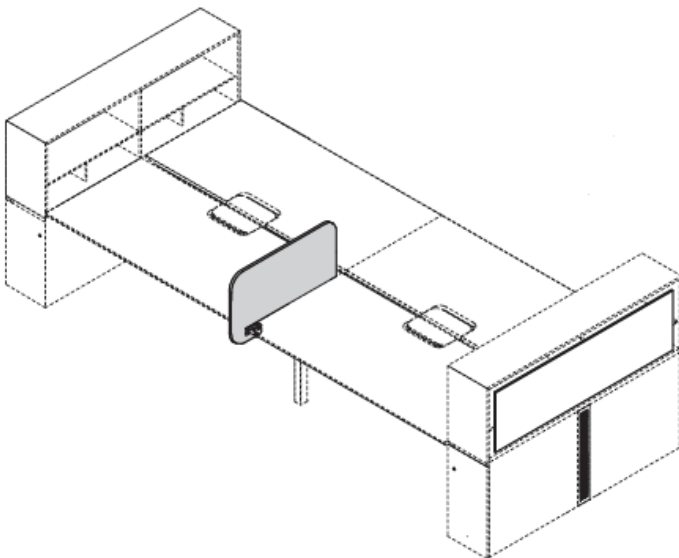


Screen panel in fabric with aluminum frame

ACCESSORIES



Side screen panel with hook



Side screen panel with hook



HEADQUARTER

Estel Group srl
Via Santa Rosa 70
36016 Thiene (VI) – Italy
Tel. +39 0445 389611
Fax +39 0445 808801
www.estel.com

The information shown in this document is based on the latest published price lists. The Company reserves the right to modify the products without prior notice.

ESTEL rev. 03_07/2019
