

E-Wall

Design by Estel R&D

The E-Wall system consists of several furnishing elements. The wall paneling (E-Wall Boiserie) has overlapping ornamental panels of three heights 40/60/80 cm (15"3/4 – 23"5/8 – 31"1/2). The thickness of the Boiserie is 36 mm (1"3/8) and, on request, it can even reach 60 mm (2"3/8), in the presence of electric cables. Shelves, cubes, P35 wall units with hinged or sliding doors as well as basic containers of 50 cm (19"5/8) depth can be attached to the Boiserie. The dimensional flexibility is very wide, as are the exclusive finishes and materials used. The base and wall units can be hung directly on the wall without Boiserie (E-Wall Free).



TECHNICAL FEATURES



Boiserie

Sp. Panels 18 mm ($\frac{3}{4}$ ") in Sable Lacquered or Veneer finish.

To fix the paneling, an upright is fixed on the wall while on the panel of the paneling a bracket is fixed which allows it to be connected.

Sky

Sp. Panels 30 mm ($1\frac{1}{8}$) with the possibility of being electrified. They are available in Sablè lacquer or Veneer finish.

If the wall covering panels are terminated at the top with a panel H40 / H60 / H80 ($15\frac{3}{4}$ – $23\frac{5}{8}$ – $31\frac{1}{2}$) and not with the upper panel H43 / H63 / H83 ($16\frac{7}{8}$ – $24\frac{3}{4}$ – $32\frac{5}{8}$), a closing top can be mounted that completes the composition at the top.



Shelves

Sp. Panels 30 mm ($1\frac{1}{8}$) with the possibility of being electrified. They are available in Sablè lacquer or Veneer finish.

The individually mounted shelves have a capacity of 10 kg. If combined with Cubo dividers and containers, the capacity increased up to 25 kg.

Dividers for Cubo shelves and containers

Sp. Panels 18 mm ($\frac{3}{4}$ ") for Cubo dividers, shelves and container structure. Available in Sablè lacquer or Veneer finish. The dividers can be positioned between two shelves or between the wall unit and the shelf. Cubo containers can be positioned at 20 cm ($7\frac{7}{8}$) pitch from the outer edge of the shelf.

TECHNICAL FEATURES



Hanging modules

The hanging modules with sliding or hinged doors must be positioned on the edge of the wall covering panel and at a pitch of 20 cm (7⁷/₈) in width. They can be mounted on panels H60 (23⁵/₈) or H40 (15³/₄) cm.

Structure available in Sablè lacquer or Veneer.

The hinged doors are available in Sablè lacquer, Veneer or back lacquered glass

Sliding doors are available in Sablè lacquer, Essenza, back-lacquered glass or Luxury Metal.



Shelves

Sp. Panels 18 mm (3/4") with tapered edge.

Available in Sablè lacquer or Veneer.

TECHNICAL FEATURES



Bases

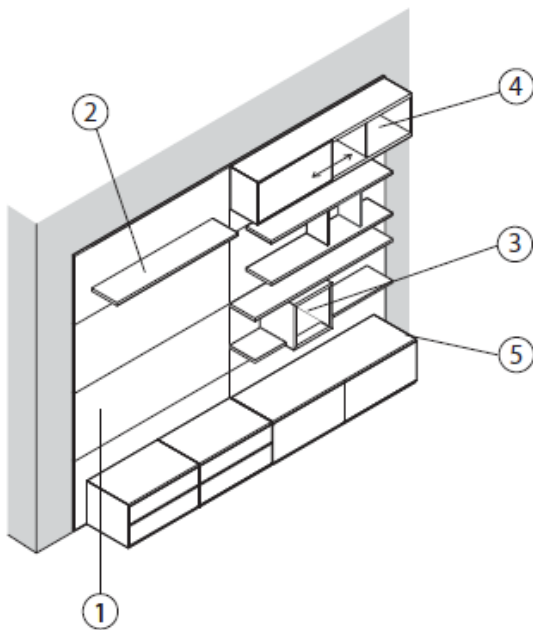
The electrifiable base container is equipped with top access and socket compartment. The containers at the base must be placed on the ground and hooked to the wall paneling or to the wall to avoid overturning.

Available in Sablè Lacquer or in Veneer.

Drawers or baskets can be freely inserted inside the basic structure. The basket includes universal folder holders (US / EU).



TECHNICAL FEATURES



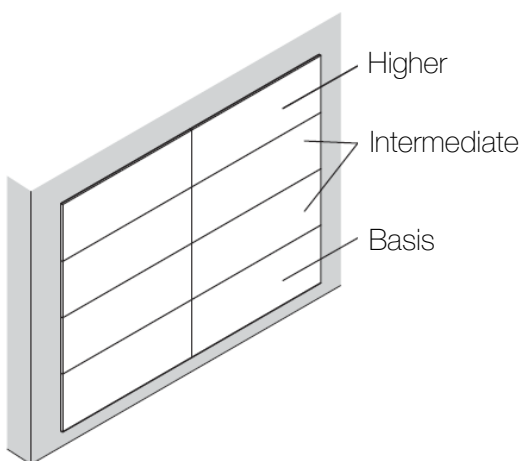
E-wall boiserie project phases

An E-Wall composition is estimated from the boiserie. The panels are available in 3 heights, 40/60/80 cm (15"3/4 – 23"5/8 – 31"1/2) and in 12 widths. Once the wall covering has been positioned, we continue with the choice of shelves, possibly enriched with dividers and shelves.

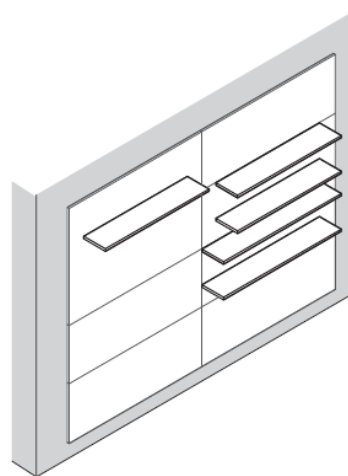
Lastly, the hanging containers and the base on the ground.

Details

- ① Panels of the Boiserie.
- ② Shelves and shelves.
- ③ Dividers for Cubo shelves / containers.
- ④ Hanging containers.
- ⑤ Basic containers.

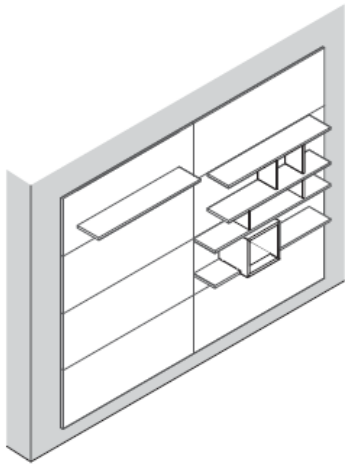


1 ° Position the panels

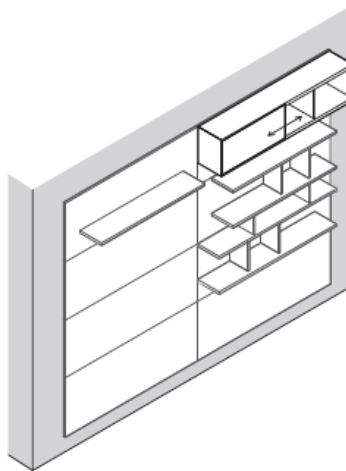


2° Place the shelves

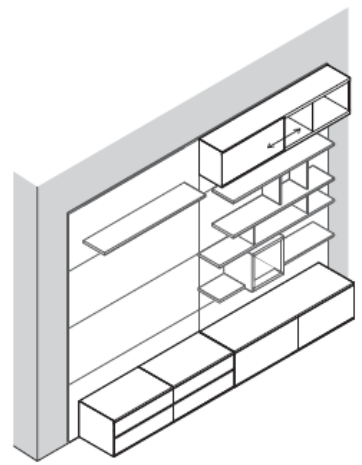
TECHNICAL FEATURES



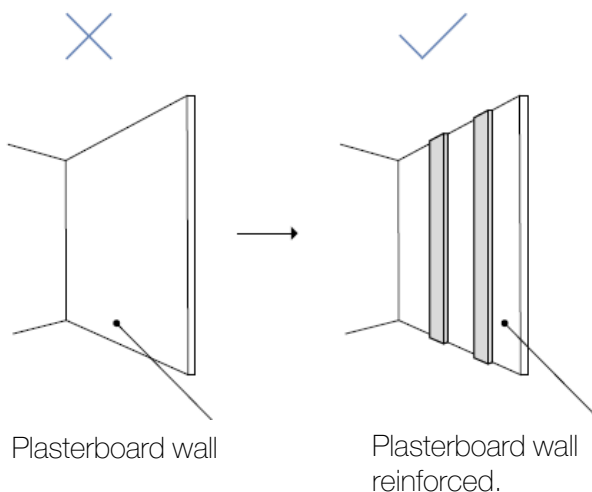
3° Insert the dividers and i
“CUBO ” containers.’.



4° Position the wall units



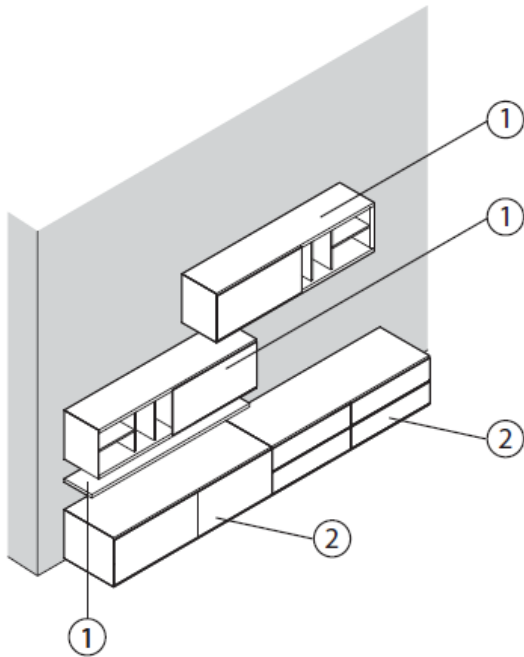
5° Position the bases



Reinforcement for boiserie on plasterboard

Before starting the assembly of the Boiserie, it is necessary to check the quality of the load-bearing capacity of the wall; in the case of plasterboard or similar coverings, the reinforcement of the same is to be paid by the customer, possibly in correspondence with the uprights, and the hardware necessary for hooking.

TECHNICAL FEATURES

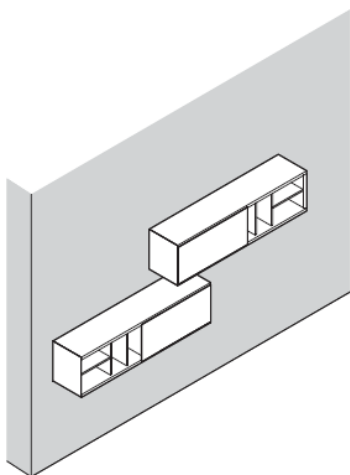


E-wall Free project phases.

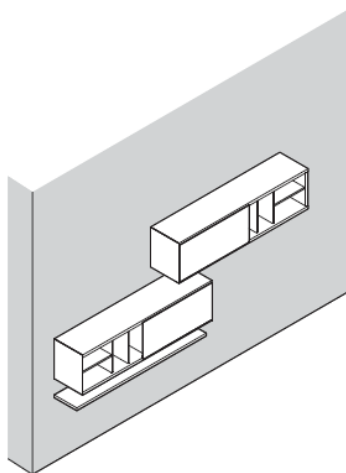
All hanging elements and basic containers can be freely placed on the wall.

Details

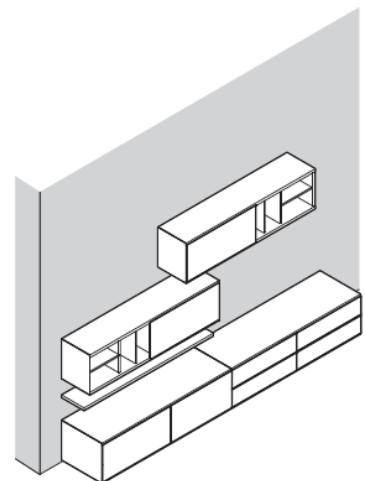
- ① Wall units and shelves.
- ② Basic containers.



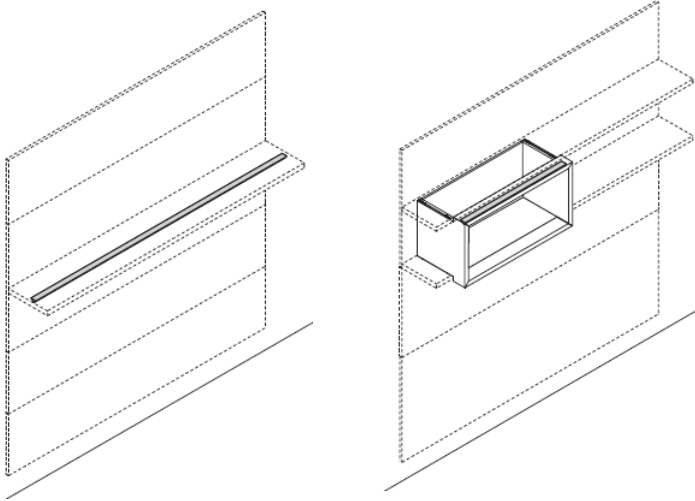
1° Position the wall units and shelves.



2° Place the basic containers.



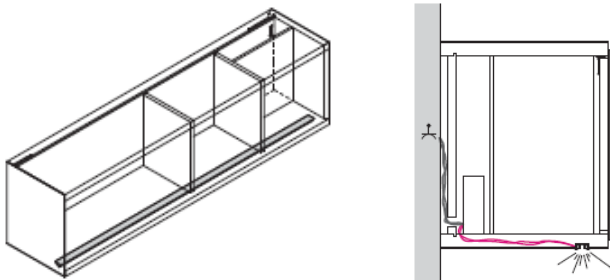
ELECTRIFICATION



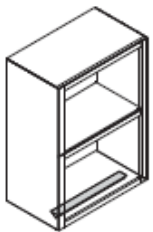
Recessed LED lamp

The LED lamps can be recessed under the 30 mm (1 1/8") thick shelves, under the Cubo containers or under the wall units.

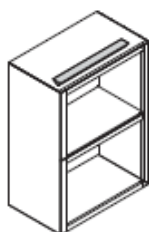
They are equipped with a power supply. The electrification is completely hidden inside the shelf and behind the wall covering panels.



To use the lighting of the wall cabinet it is essential to prepare the exit of the power cables within the perimeter of the wall cabinet itself. The lamps are equipped with a power supply. The electrification is completely hidden inside the wall cabinet.



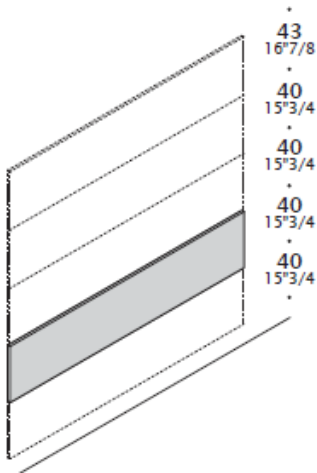
External lighting recessed in the bottom of the wall unit



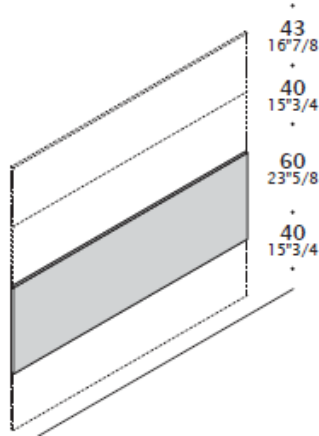
Internal lighting recessed in the ceiling of the wall unit with glass door.

DIMENSIONS

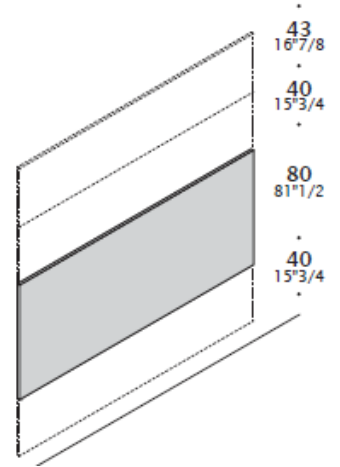
Boiserie



Basic or intermediate panels H40 (15"3/4) for wall covering.

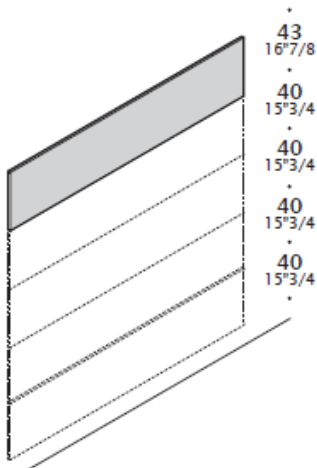


Basic or intermediate panels H60 (23"5/8) for wall covering.

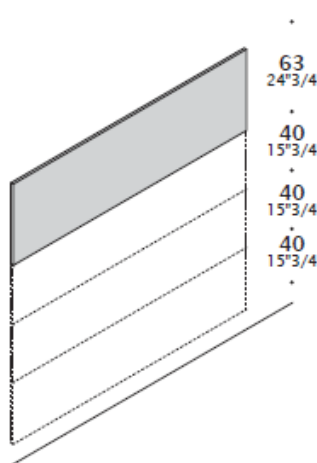


Basic or intermediate panels H80 (31"1/2) for wall covering.

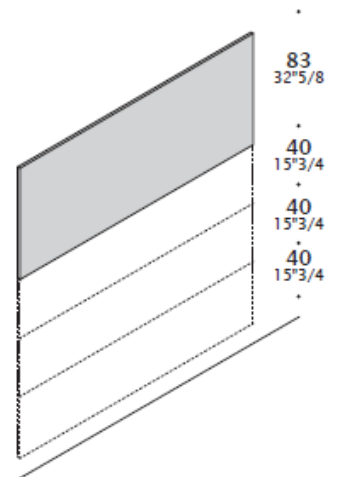
Width 100 - 120 - 140 - 160 - 180 - 200 - 220 - 240 - 260 - 280 - 300 - 320
 (39"3/8 - 47"1/4 - 55"1/8 - 63" - 70"7/8 - 78"3/4 - 86"5/8 - 94"1/2 -
 102"3/8 - 110"1/4 - 118"1/8 - 126")



Upper panels H43 (16"7/8) for wall covering.



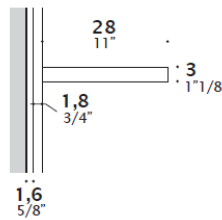
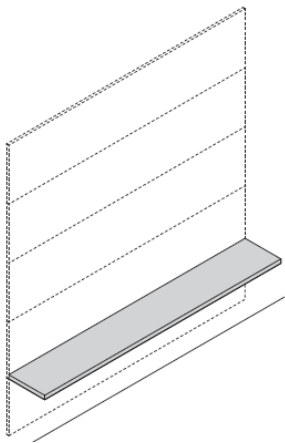
Upper panels H63 (24"3/4) for wall covering.



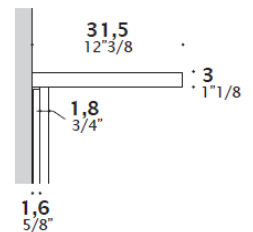
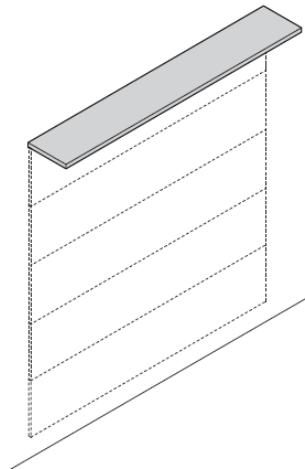
Upper panels H83 (32"5/8) for wall covering.

DIMENSIONS

Shelves and skies for attachment to the boiserie.



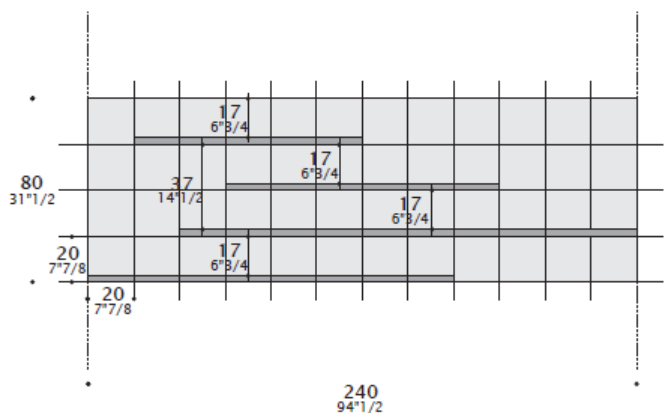
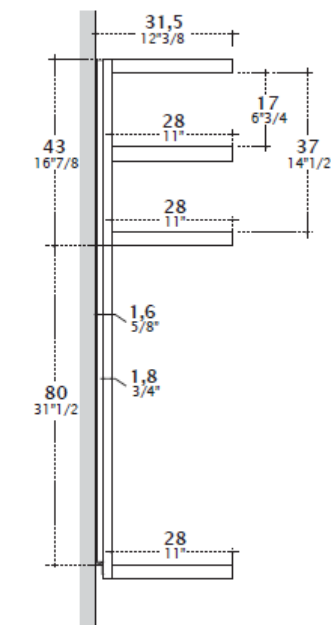
Shelf thickness 3 cm (1"1/8)



Upper closing sky

Width 100 - 120 - 140 - 160 - 180 - 200 - 220 - 240 - 260 - 280 - 300 - 320
 (39"3/8 - 47"1/4 - 55"1/8 - 63" - 70"7/8 - 78"3/4 - 86"5/8 - 94"1/2 -
 102"3/8 - 110"1/4 - 118"1/8 - 126")

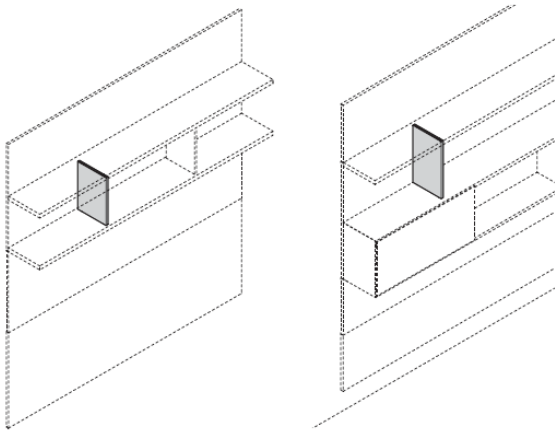
Example of shelf arrangement



The shelves can be positioned on the panels of the Boiserie wall covering, at a pitch of 20 cm (3/4") in height starting from the lower edge of the panel, at a pitch of 20 cm (3/4") in width.

DIMENSIONS

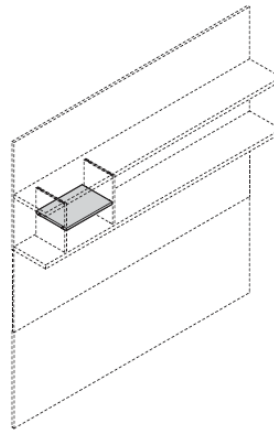
Dividers



Additional dividers between two shelves /
between shelf and wall cabinet

W 17 - 37 (6"3/4 – 14"1/2)
H 25,5 (10 ")
THK 18 mm (3/4")

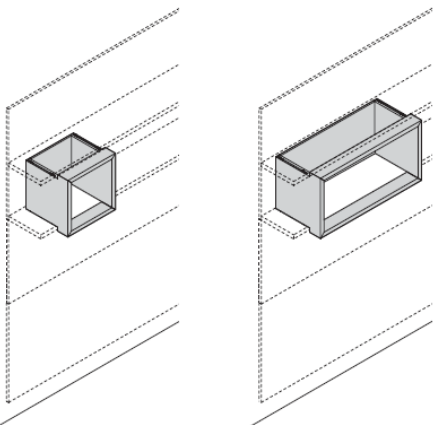
Shelves



Shelves for dividers

W 38 (15")
D 25 (9"7/8)
THK 18 mm (3/4")

Cubo containers

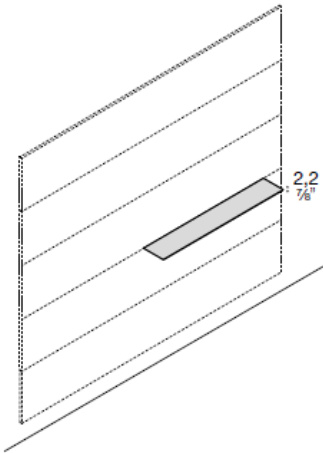


Cubo containers to be inserted between
two shelves

W 42 – 82 (16"1/2 – 32"1/4)
D 37 (14"1/2)
H 43 (16"7/8)

DIMENSIONS

Shelves for attachment to the boiserie

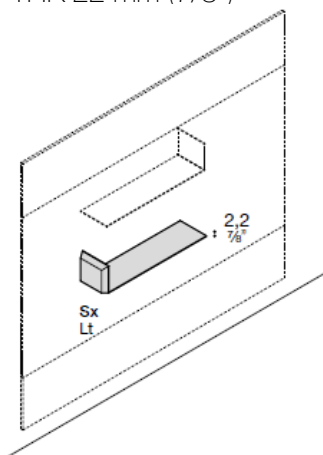


Shelf for wall covering.

W 80 - 120 - 160 - 200 (31"1/2 - 47"1/4 - 63 - 78"3/4)
 D 22 (8"5/8)
 THK 22 mm (7/8")

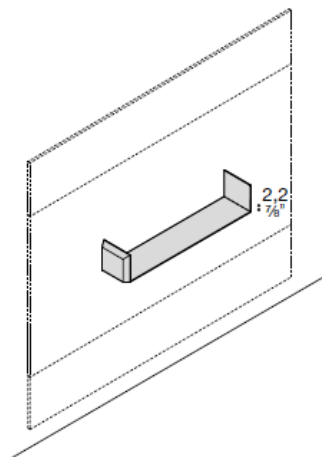


L and U-shaped shelves thickness detail



L-shaped shelf

W 80 - 120 - 160 - 200 (31"1/2 - 47"1/4 - 63 - 78"3/4)
 D 22 (8"5/8)
 H 20 (7"7/8)
 THK 22 mm (7/8")

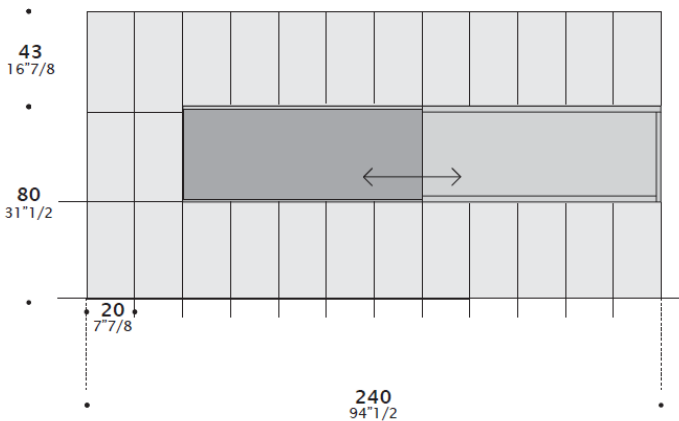


U-shaped shelf

W 80 - 120 - 160 - 200 (31"1/2 - 47"1/4 - 63 - 78"3/4)
 D 22 (8"5/8)
 H 20 (7"7/8)
 THK 22 mm (7/8")

DIMENSIONS

Positioning of hanging modules attached to the Boiserie.



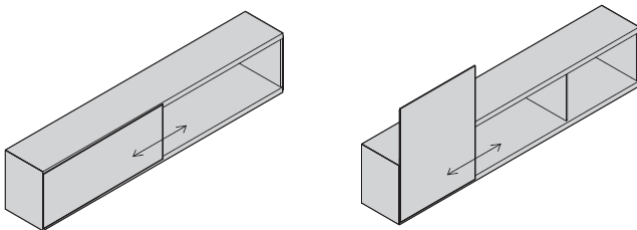
The hanging modules with sliding or hinged doors must be positioned on the edge of the wall covering panel and at a pitch of 20 cm (7"7/8) in width.

They can be mounted on panels H60 (23"5/8) or H40 cm (15"3/4).

In the case of intermediate or base panels, the top of the wall unit protrudes 3 cm on the upper panel to allow alignment to the shelf.

In the case of upper paneling H43/63/83 (16"7/8 - 24"3/4 - 32"5/8), the wall unit will be aligned both above and below the panel.

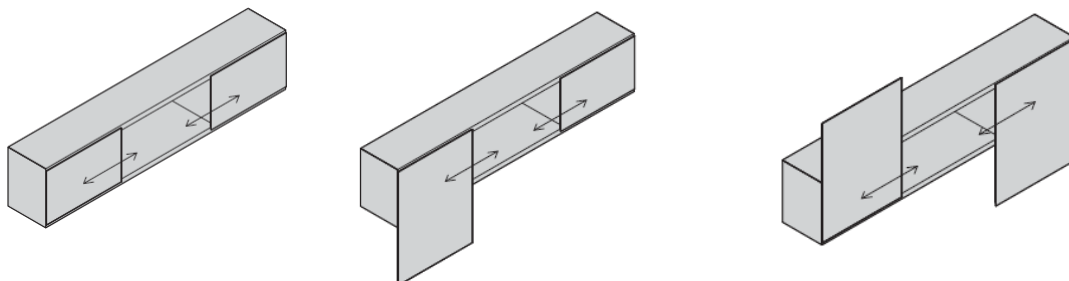
Hanging modules: SLIDING DOOR, for Boiserie or free on the wall.



The hanging modules with sliding doors were added by adding the price of the structure to the price of the doors.

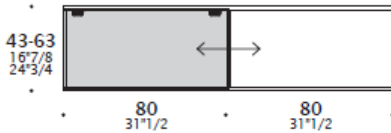
Each hanging module can mount multiple combinations of doors.

The maximum sliding of the door is equal to its width. The additional dividers can be positioned in 20 cm (7"7/8) steps

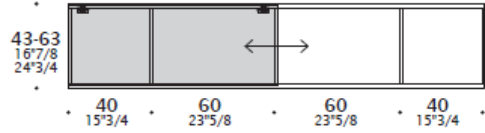


DIMENSIONS

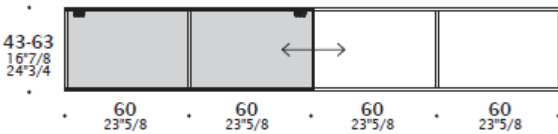
Hanging modules: SLIDING DOORS, for Boiserie or free on the wall



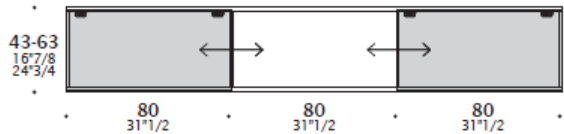
Hanging module W160 (63")
with a sliding door W80 (31"1/2)



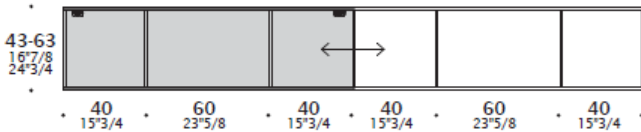
Hanging module W200 (78"3/4)
with a sliding door W100 (39"3/8)



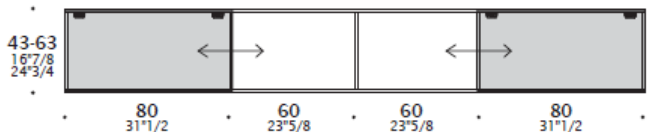
Hanging module W240 (94"1/2)
with a sliding door W120 (47"1/4)



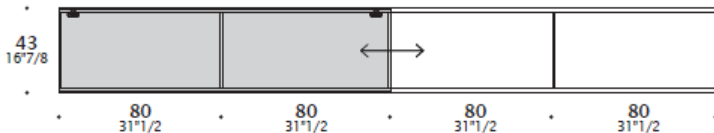
Hanging module W240 (94"1/2)
with 1 or 2 sliding doors W80 (31"1/2)



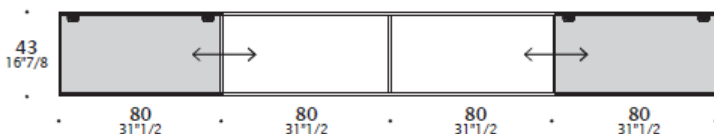
Hanging module W280 (110"1/4)
with a sliding door W140 (55"1/8)



Hanging module W280 (110"1/4)
with 1 or 2 sliding doors W80 (31"1/2)



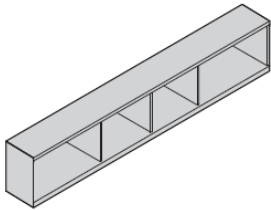
Hanging module W320 (126")
with a sliding door W160 (63")



Hanging module W320 (126")
with 1 or 2 sliding doors W80 (31"1/2)

DIMENSIONS

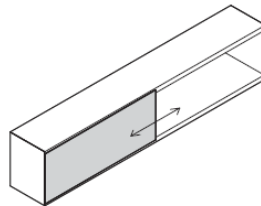
Hanging modules: **SLIDING DOORS,** for **Boiserie** or free on the wall



Hanging module H43 (16"7/8)
with sliding doors

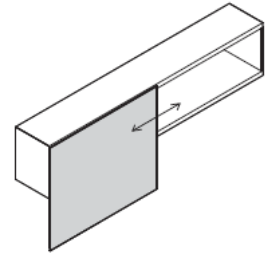
H43 (16"7/8) and D36 (14"1/8)
available with:
W160 (63") - 200 (78"3/4) - 240
(94"1/2) - 280 (110"1/4) - 320 (126")

For E-Wall Free only:
H43 (16"7/8) and P50 (19"5/8)
available with:
L160 (63") - 200 (78"3/4)



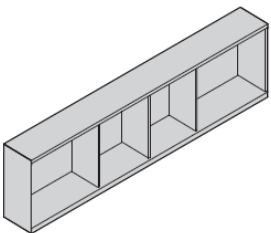
Sliding doors H40 (15"3/4)

W 80 (31"1/2) - 100
(39"3/8) - 120 (47"1/4) -
140 (55"1/8) - 160 (63")



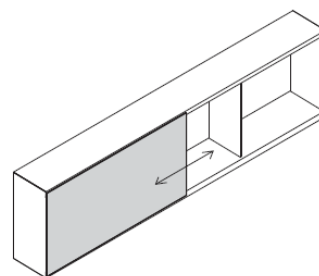
Sliding doors H80 (31"1/2)
double upper or lower height

W 80 (31"1/2) -
100 (39"3/8)



Hanging module H63 (24"3/4)
with sliding doors

H63 e D36 available with: W 160 (63") - 200 (78"3/4)
- 240 (94"1/2) - 280 (110"1/4)

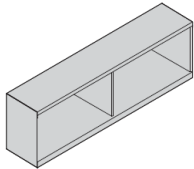


Sliding doors H60 (23"5/8)

W 80 (31"1/2) - 100 (39"3/8)
- 120 (47"1/4) - 140 (55"1/8)

DIMENSIONS

Hanging modules

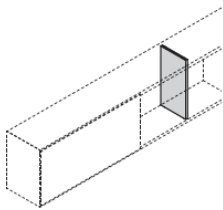


H43 (16"7/8) open wall unit

H43 (16"7/8) and D35 (13"3/4) available with:
W 80 (31"1/2) – 100 (39"3/8) – 120 (47"1/4) – 140 (55"1/8)

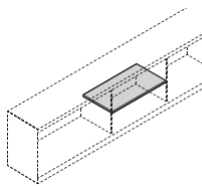
The wall units W80 (31"1/2), W100 (39"3/8) and W120 (47"1/4) are equipped as standard with 1 partition. W140 (55"1/8) wall units are equipped with 2 dividers as standard.

Accessories



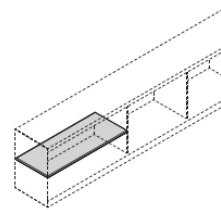
Additional dividers

H37 (14"1/2) P25 (9"7/8)
H57 (22"1/2) P25 (9"7/8)
H37 (14"1/2) P40 (15"3/4)
THK 18 mm (3/4")



Additional shelves between dividers

W40 (15"3/4) D25 (9"7/8)
W60 (23"5/8) D25 (9"7/8)
W40 (15"3/4) D40 (15"3/4)
W60 (23"5/8) D40 (15"3/4)
THK18 mm (3/4")

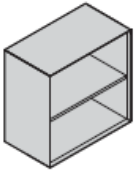


Additional shelves between dividers
Additional shelves between side and divider

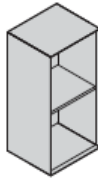
W37 (14"1/2) D25 (9"7/8)
W57 (22"1/2) D25 (9"7/8)
W37 (14"1/2) D40 (15"3/4)
W57 (22"1/2) D40 (15"3/4)
THK18 mm (3/4")

DIMENSIONS

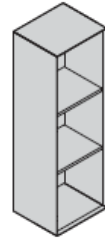
Open wall units for Boiserie or free in



Open module H63 (24"3/4)
W 30 (11"3/4) – 40 (15"3/4) –
60 (23"5/8) – 80 (31"1/2)
D 35 (13"3/4)
H 63 (24"3/4)

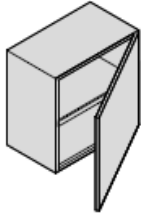


Open module H83 (32"5/8)
W 30 (11"3/4) – 40 (15"3/4) –
60 (23"5/8) – 80 (31"1/2)
D 35 (13"3/4)
H 83 (32"5/8)



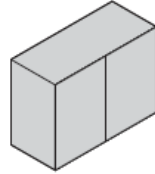
Open module H123 (48"3/8)
W 30 (11"3/4) – 40 (15"3/4)
D 35 (13"3/4)
H 123 (48"3/8)

Hanging modules with hinged door for Boiserie or free-standing on the wall



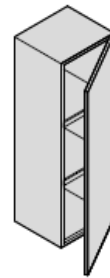
H63 with hinged door

W 30 (11"3/4) – 40 (15"3/4) –
60 (23"5/8)
D 35 (13"3/4)
H 63 (24"3/4)



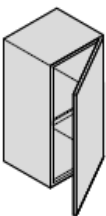
H63 with hinged door

W 80 (31"1/2) *
D 35 (13"3/4)
H 63 (24"3/4)



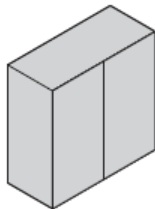
H63 with hinged door

W 30 (11"3/4) – 40 (15"3/4)
D 35 (13"3/4)
H 123 (48"3/8)



H63 (24"3/4) with hinged door

W 30 (11"3/4) – 40 (15"3/4) –
60 (23"5/8)
D 35 (13"3/4)
H 83 (32"5/8)



H63 (24"3/4) with hinged door

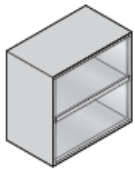
W 80 (31"1/2) *
D 35 (13"3/4)
H 83 (32"5/8)

The handle grip is on bottom of the wall unit; the handle grip higher is on request.

*wall unit that allows the inclusion of the group extractor hood.

DIMENSIONS

Hanging modules with glass swing doors for Boiserie or freestanding on the wall



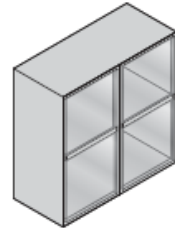
Glass door module
H63 (24"3/4)

W 60 (23"5/8)
D 35 (13"3/4)
H 63 (24"3/4)



Glass door module
H83 (32"5/8)

W 40 (15"3/4)
D 35 (13"3/4)
H 83 (32"5/8)



Glass door module
H83 (32"5/8)

W 80 (31"1/2)
D 35 (13"3/4)
H 83 (32"5/8)



Hanging module H123
(48"3/8) with glass door

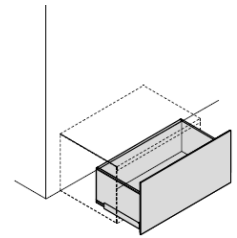
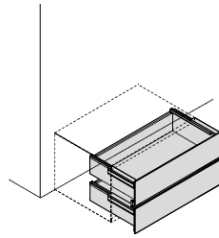
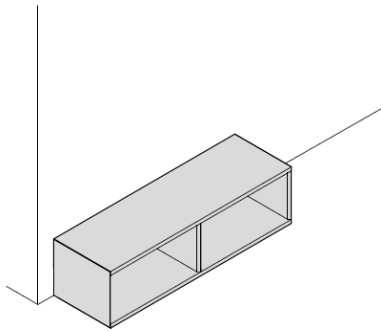
W 40 (15"3/4)
D 35 (13"3/4)
H123 (48"3/8)

Solid wood frame.

The handle grip is on bottom of the wall unit; the upper handle grip is on request.

DIMENSIONS

Hanging modules with glass swing doors for Boiserie or freestanding on the wall



Base container

W 80 (31"1/2) – 120 (47"1/4) – 160 (63")- 200 (78"3/4) – 240 (94"1/2) - 280 (110"1/4) – 320 (126")
 D 51 (20"1/8)
 H 43 (16"7/8)

Pair of fronts for drawers

W 80 (31"1/2)

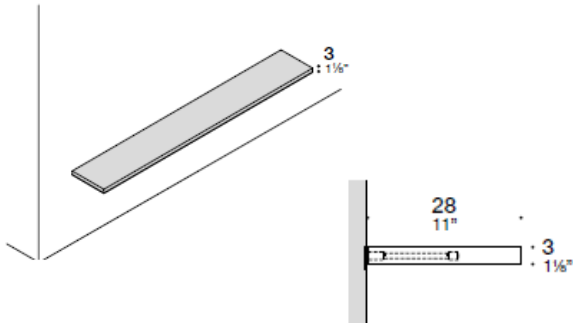
Front for file basket

W 80 (31"1/2) – 120 (47"1/4)

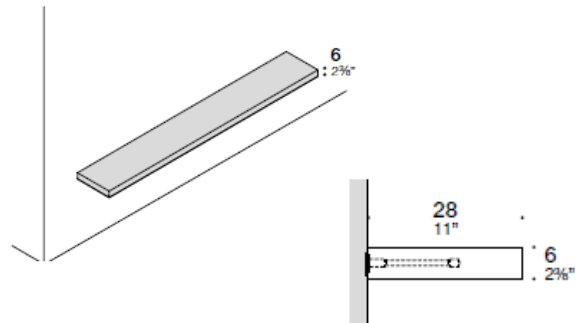


DIMENSIONS

Free shelves on the wall

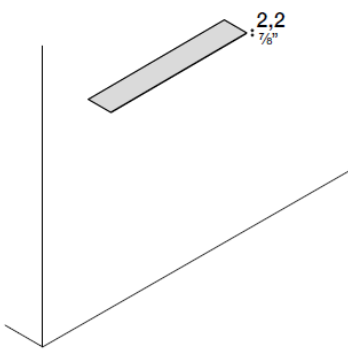


Wall shelf 3 cm thick (1"1/8)



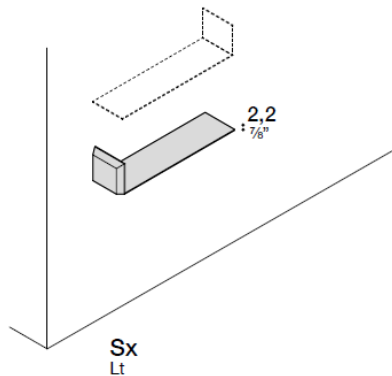
Wall shelf 6 cm thick (2"3/8)

Width 100 - 120 - 140 - 160 - 180 - 200 - 220 - 240 - 260 - 280 - 300 - 320
 (39"3/8 - 47"1/4 - 55"1/8 - 63" - 70"7/8 - 78"3/4 - 86"5/8 - 94"1/2 - 102"3/8 - 110"1/4 - 118"1/8 - 126")



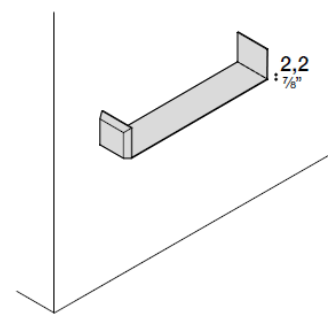
Wall shelf

W 80 - 120 - 160 - 200
 (31"1/2 - 47"1/4 - 70"7/8 - 78"3/4)
 D 22 (8"5/8)
 THK 22 mm (7/8")



L-shaped shelf

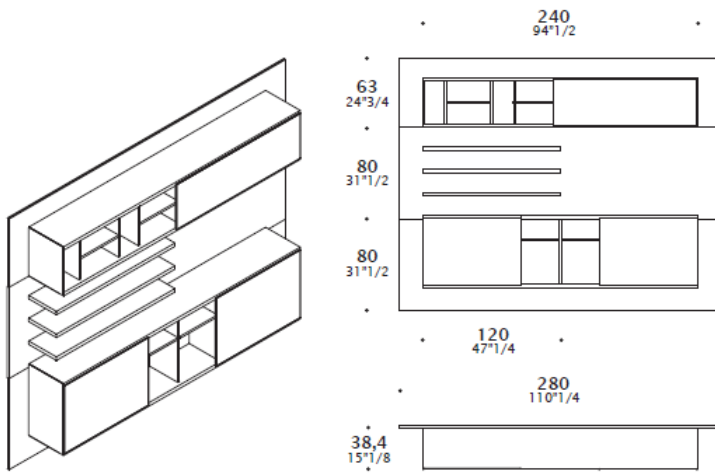
W 80 - 120 - 160 - 200
 (31"1/2 - 47"1/4 - 70"7/8 - 78"3/4)
 D 22 (8"5/8)
 H 20 (7"7/8)
 THK 22 mm (7/8")



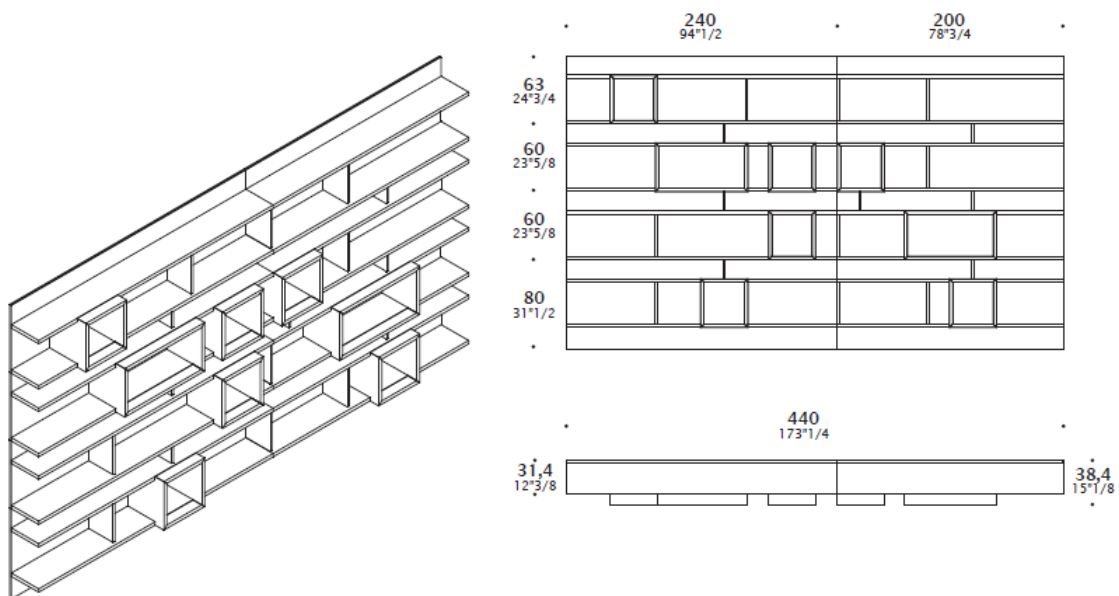
U-shaped shelf

W 80 - 120 - 160 - 200
 (31"1/2 - 47"1/4 - 70"7/8 - 78"3/4)
 D 22 (8"5/8)
 H 20 (7"7/8)
 THK 22 mm (7/8")

COMPOSITIONS

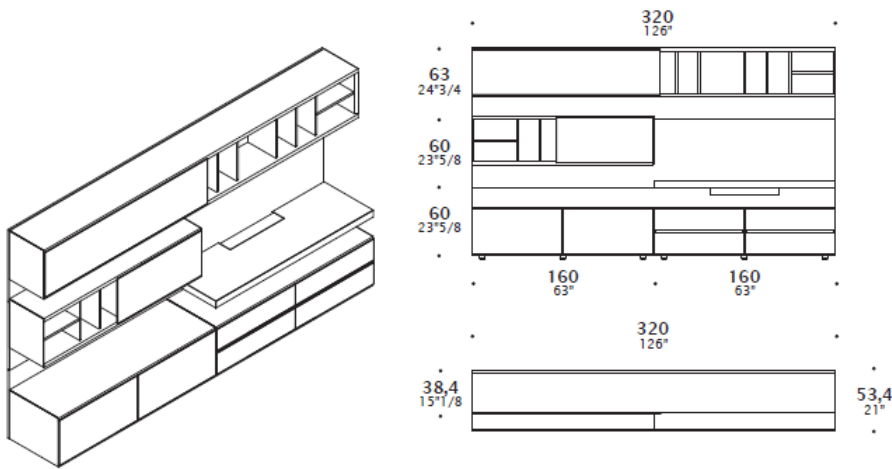


Composition 1 with boiserie, shelves and hanging modules

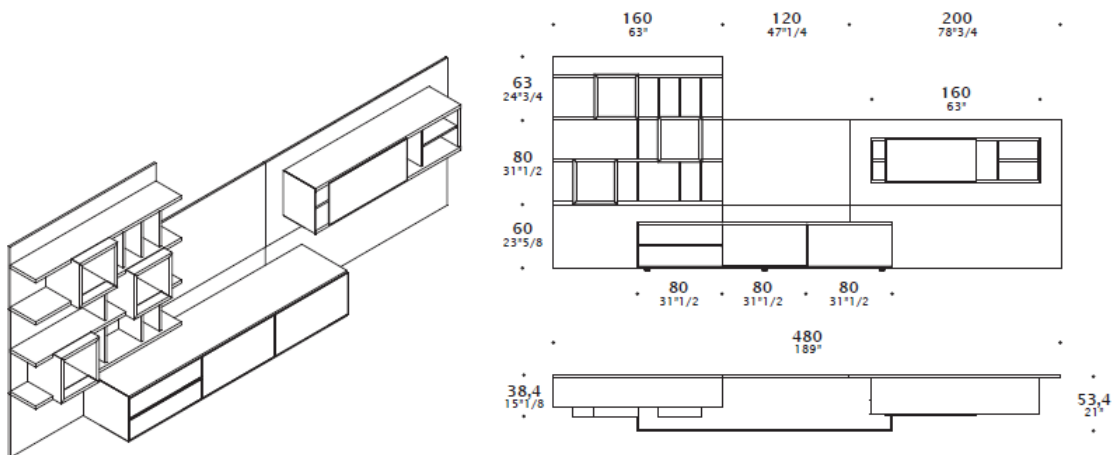


Composition 2 with boiserie, shelves and cubes.

COMPOSITIONS

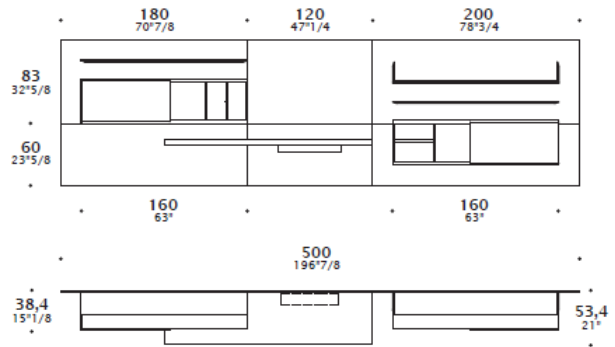
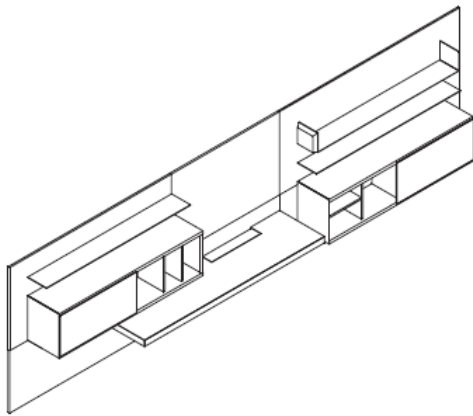


Composition 3 with boiserie, wall unit and basic containers.

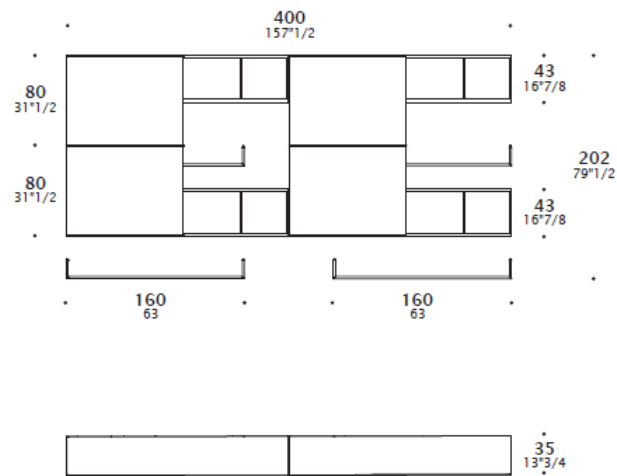
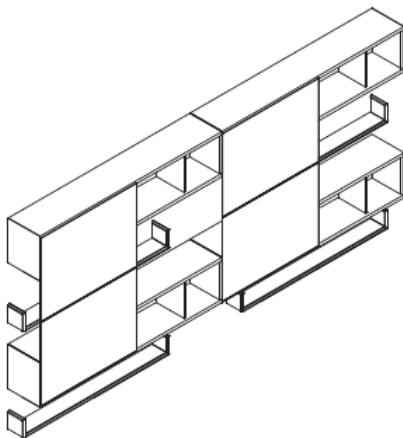


Composition 4 with boiserie, shelves, cube, wall units and basic containers.

COMPOSITIONS

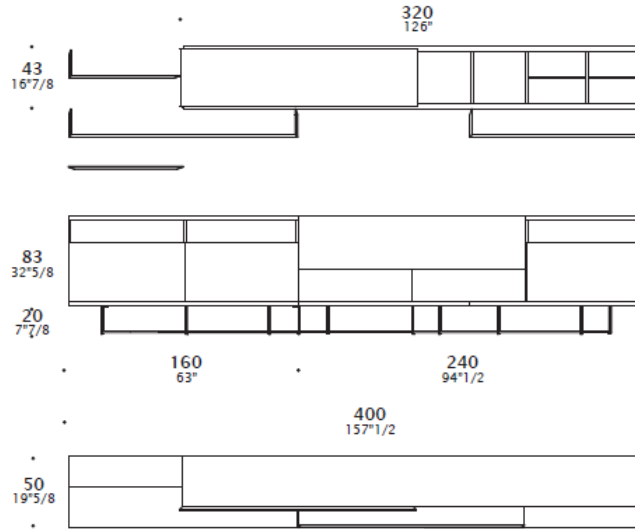
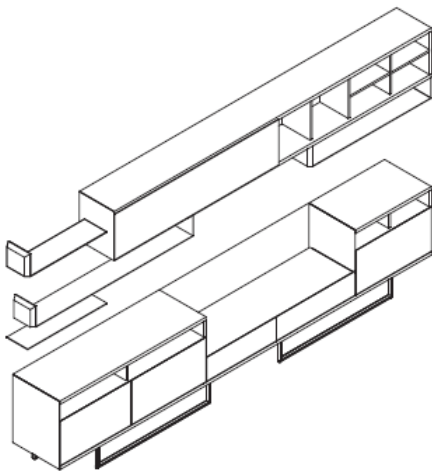


Composition 5 with boiserie, wall unit and shelves

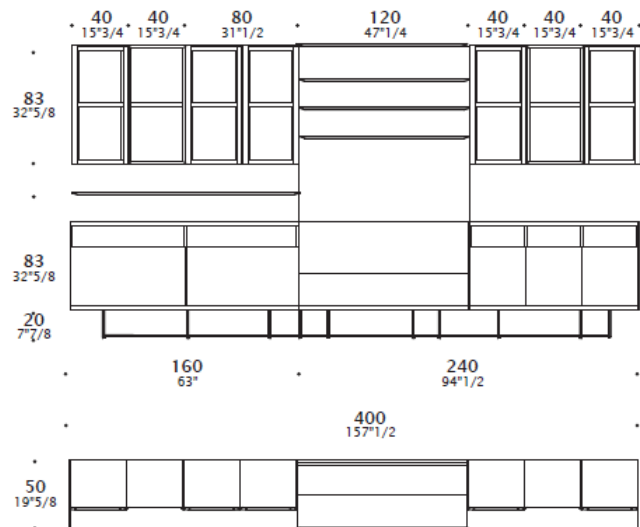
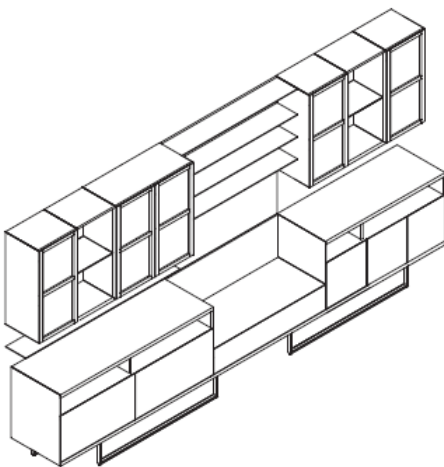


Composition 6 with wall cabinets and shelves

COMPOSITIONS



Composition 8 with wall cabinets and shelves, sideboards.



Composition 8 with wall cabinets and shelves, sideboards.



E-wall composition with boiserie, wall units with sliding doors and basic containers.



E-wall composition with boiserie, shelves, shelves and hanging modules with sliding doors



E-wall composition with boiseire, hanging modules with sliding doors and glass hinged doors.



E-wall composition with boiseire, hanging modules with sliding doors and glass hinged doors.



HEADQUARTER

Estel Group srl
Via Santa Rosa 70
36016 Thiene (VI) – Italy
Tel. +39 0445 389611
Fax +39 0445 808801
www.estel.com

The information shown is based on the latest published price lists. Estel reserves the right to make any necessary changes to the products shown at any time without notice.

ESTEL rev. 03_05/2020
